

# MAGSON MA - size 4/4H

Magnetically coupled centrifugal pumps  
made of plastics PP / ETFE



More than just pumps



# MA type 4 / 4H

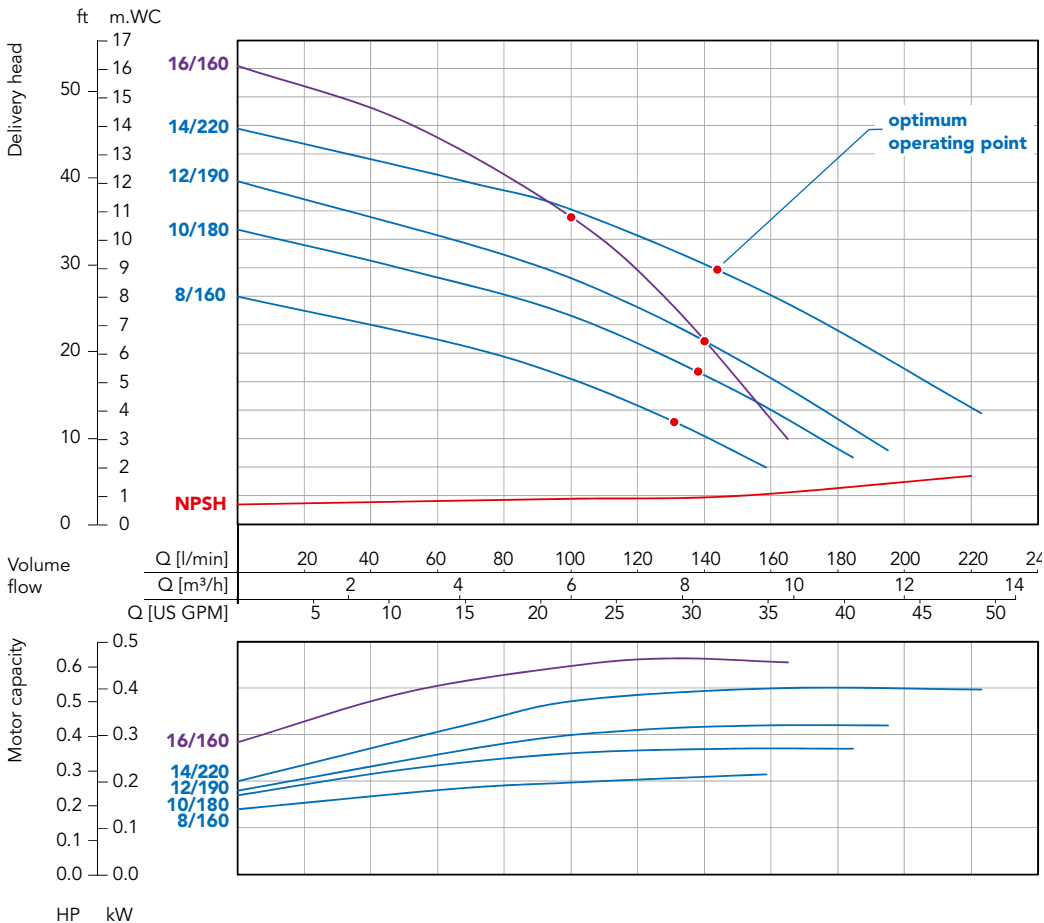


- execution with thread adapter
- without shaft seal
- streamlined housing made of PP or ETFE
- volume flow of up to 220l/min
- delivery head of up to 16 m.WC
- back pull-out



For all advantages of MAGSON pumps see page 9.

## Characteristic curves



Determined with water of 20 °C; measured values ± 10%

Technical data MA	type 4								type 4H
	8/160		10/180		12/190		14/220		16/160
Material *	PP (glass-fibre reinforced) / ETFE (carbon-fibre reinforced)								
Max. delivery head in [m.WC] at 50 Hz	8		10		12		14		16
Max. volume flow in [l/min] at 50 Hz	160		180		190		220		160
Max. density in [g/cm <sup>3</sup> ] at 50 Hz **	1.7	2.6	1.3	2.0	1.15	1.7	0.9	1.4	1.15
Motor capacity in [kW]	0.37	0.55	0.37	0.55	0.37	0.55	0.37	0.55	0.55
Current rating (400V, 50Hz) in [A]	0.96	1.41	0.96	1.41	0.96	1.41	0.96	1.41	1.41
Rated speed in [rpm] at 50 Hz / 60 Hz	3000 / 3600								
Suction port ***	DN 40 / G 2 1/4"								DN 25 / G 1 1/2"
Discharge port ***	DN 40 / G 2 1/4"								DN 25 / G 1 1/2"
Voltage in [V]	230V AC or 230 / 400V three-phase AC								
Protection class	IP 55								
Max. flow velocity in [m/s]	suction side = 1 / discharge side = 3								
Max. temperature for PP / ETFE in [°C]	70 / 80								
Max. system pressure for PP / ETFE at 20 °C in [bar]	2.2								

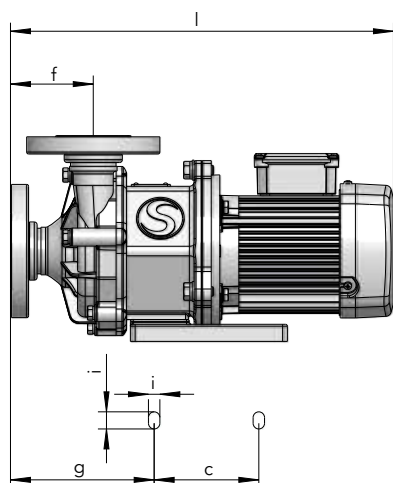
\* Material used for housing, impeller unit and rear casing: (sheath of inner magnet made of PP without fibre reinforcement)

\*\* approx. value at max. volume flow (higher density possible when flow rate is reduced)

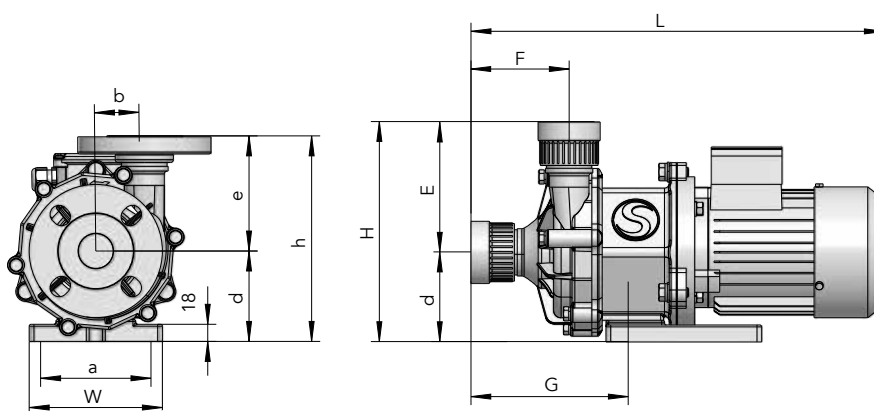
Dimensions in [mm]	type 4				type 4H
	8/160	10/180	12/190	14/220	16/160
Dimension a in [mm]	110				130
Dimension b in [mm]	51				65
Dimension c in [mm]	98				130
Dimension d in [mm]	95				115
Dimension e / E in [mm] ***	121 / 129				145 / 148
Dimension f / F in [mm] ***	87 / 104				90 / 107
Dimension g / G in [mm] ***	150 / 158				173 / 176
Dimension h / H in [mm] ***	216 / 224				260 / 263
Dimension i in [mm]	12 - 18				Ø 12
Dimension l / L in [mm]	421 / 438				424 / 441
Dimension W in [mm]	140				160

Motor dimensions may differ according to manufacture. \*\*\* Dimension with flanged execution / thread adapter

#### Flanged execution:



#### Execution with thread adapter:





More than just pumps

Today the FLUX name is recognised around the globe as the trademark for top standards in pump technology. Everything started with the invention of the electric drum pump in 1950. Nowadays FLUX has an extensive range of products each of which can be customized. FLUX pumps are used for example in the chemical and pharmaceutical industries; in machinery and plant engineering as well as companies in electroplating, effluent treatment and the foodstuffs sector.

Whether single-product or system solution – FLUX quality is synonymous with a long service life, excellent economy and maximum safety.

In addition to the excellent product quality FLUX customers appreciate the superb level of expertise our staff has to offer as well as their genuine customer focus.

These days FLUX-GERÄTE GMBH supplies pumps to almost 100 countries around the globe.

## FLUX-GERÄTE GMBH

Process Pumps & Systems

August-Horch-Strasse 2 · D-51149 Cologne  
P. O. Box 920101 · D-51151 Cologne

Phone +49 2203 9394-0

Fax +49 2203 9394-48

[info-process@flux-pumpen.de](mailto:info-process@flux-pumpen.de)

[www.flux-pumps.com](http://www.flux-pumps.com)