

# MAGSON MA - size 6/6H

Magnetically coupled centrifugal pumps  
made of plastics PP / ETFE



More than just pumps



# MA type 6 / 6H

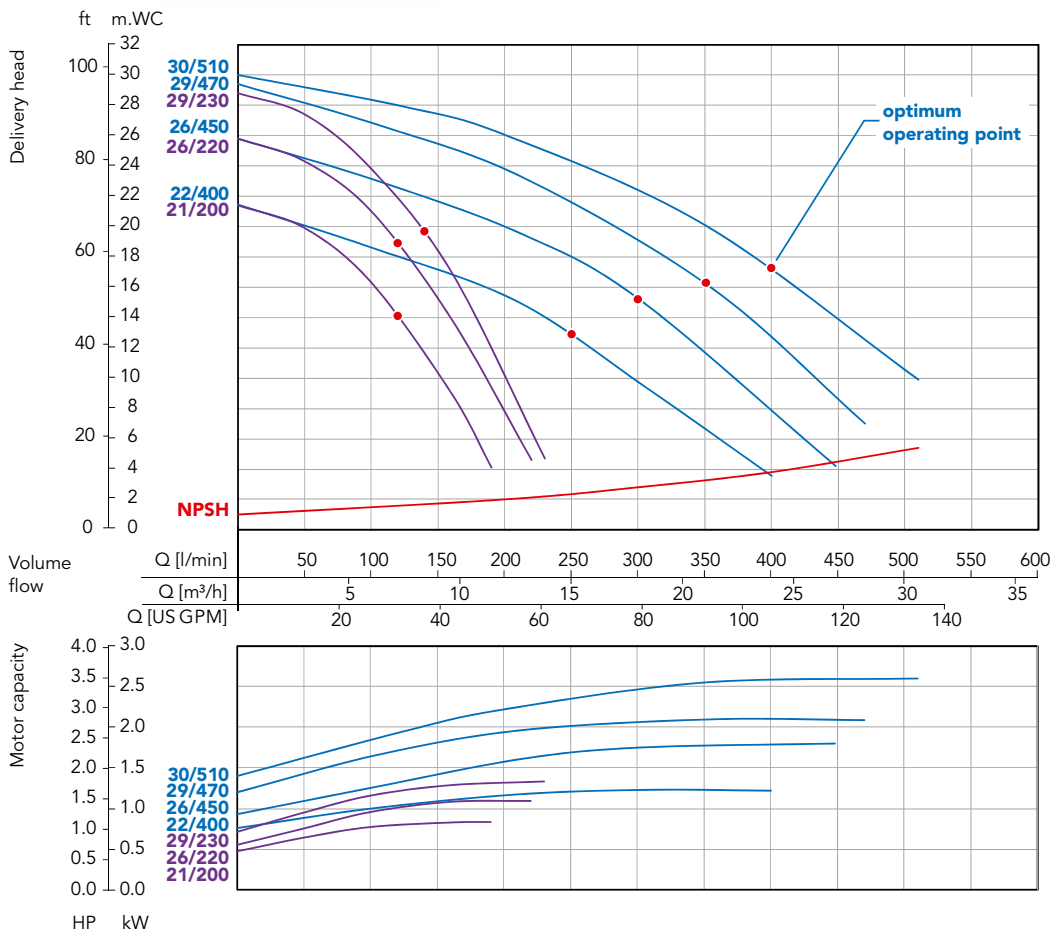


- execution with thread adapter
- without shaft seal
- streamlined spiral housing made of PP or ETFE
- volume flow of up to 510l/min
- delivery head of up to 30 m.WC
- back pull-out



For all advantages of MAGSON pumps see page 9.

## Characteristic curves



Determined with water of 20 °C;  
measured values ± 10%

Technical data MA	type 6						type 6H		
	22/400		26/450	29/470	30/510		21/190	26/220	29/230
Material *	PP (glass-fibre reinforced) / ETFE (carbon-fibre reinforced)								
Max. delivery head in [m.WC] at 50 Hz	22		26	29	30		21	26	29
Max. volume flow in [l/min] at 50 Hz	400		450	470	510		190	220	230
Max. density in [g/cm <sup>3</sup> ] at 50 Hz **	1.2	1.8	1.2	1.0	1.15	1.5	1.8	1.8	1.6
Motor capacity in [kW]	1.5	2.2	2.2	2.2	3	4	1.5	2.2	2.2
Current rating (400 V, 50 Hz) in [A]	3	4.2	4.2	4.2	5.6	7.3	3	4.2	4.2
Rated speed in [rpm] at 50 Hz / 60 Hz	3000 / 3600								
Suction port ***	DN 50 / G 2 3/4"						DN 25 / G 1 1/2"		
Discharge port ***	DN 40 / G 2 1/4"						DN 25 / G 1 1/2"		
Voltage in [V]	230 / 400 V three-phase AC								
Protection class	IP 55								
Max. flow velocity in [m/s]	suction side = 1 / discharge side = 3								
Max. temperature for PP / ETFE in [°C]	70 / 80								
Max. system pressure for PP / ETFE at 20 °C in [bar]	5			6			4		

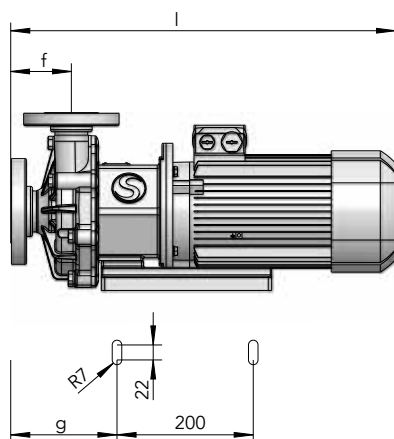
\* Material used for housing, impeller unit and rear casing: (sheath of inner magnet made of PP without fibre reinforcement)

\*\* approx. value at max. volume flow (higher density possible when flow rate is reduced)

Dimensions in [mm]	type 6						type 6H		
	22/400		26/450	29/470	30/510		21/190	26/220	29/230
Dimension a in [mm]	208			230			208		
Dimension c in [mm]	200			261			200		
Dimension d in [mm]	116			135			116		
Dimension e / E in [mm] ***	145 / 153			145 / 153			145 / 148		
Dimension f / F in [mm] ***	89 / 99			89 / 99			90 / 93		
Dimension g / G in [mm] ***	156 / 166			156 / 166			156 / 159		
Dimension h / H in [mm] ***	261 / 269			280 / 288			261 / 264		
Dimension l in [mm]	525	565	565	565	619	602	526	566	566
Dimension L in [mm]	535	575	575	575	629	612	536	576	576

Motor dimensions may differ according to manufacture. \*\*\* Dimension with flanged execution / thread adapter

#### Flanged execution:



#### Execution with thread adapter:

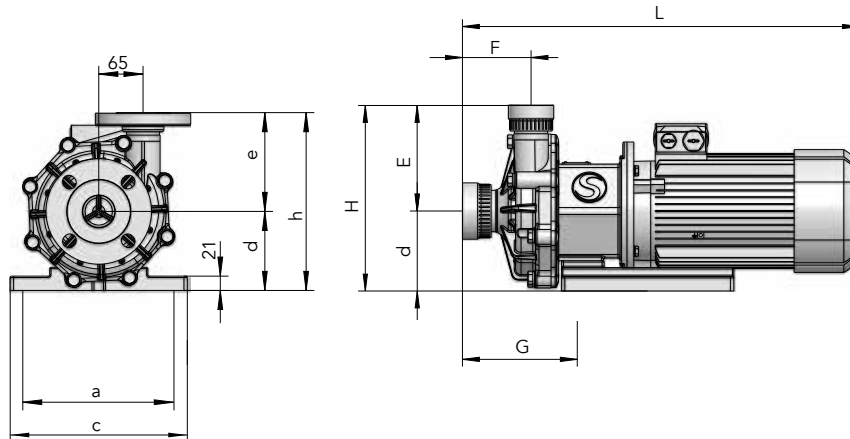


Fig.: MA pump type 6 with motor of up to 2.2 kW



More than just pumps

Today the FLUX name is recognised around the globe as the trademark for top standards in pump technology. Everything started with the invention of the electric drum pump in 1950. Nowadays FLUX has an extensive range of products each of which can be customized. FLUX pumps are used for example in the chemical and pharmaceutical industries; in machinery and plant engineering as well as companies in electroplating, effluent treatment and the foodstuffs sector.

Whether single-product or system solution – FLUX quality is synonymous with a long service life, excellent economy and maximum safety.

In addition to the excellent product quality FLUX customers appreciate the superb level of expertise our staff has to offer as well as their genuine customer focus.

These days FLUX-GERÄTE GMBH supplies pumps to almost 100 countries around the globe.

## FLUX-GERÄTE GMBH

Process Pumps & Systems

August-Horch-Strasse 2 · D-51149 Cologne  
P. O. Box 920101 · D-51151 Cologne

Phone +49 2203 9394-0

Fax +49 2203 9394-48

[info-process@flux-pumpen.de](mailto:info-process@flux-pumpen.de)

[www.flux-pumps.com](http://www.flux-pumps.com)