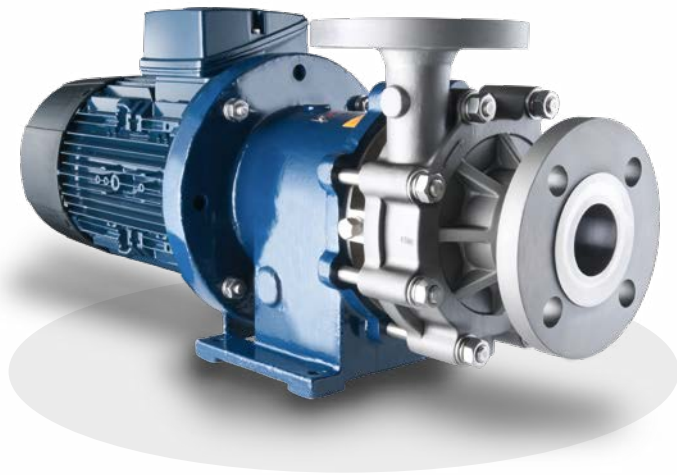
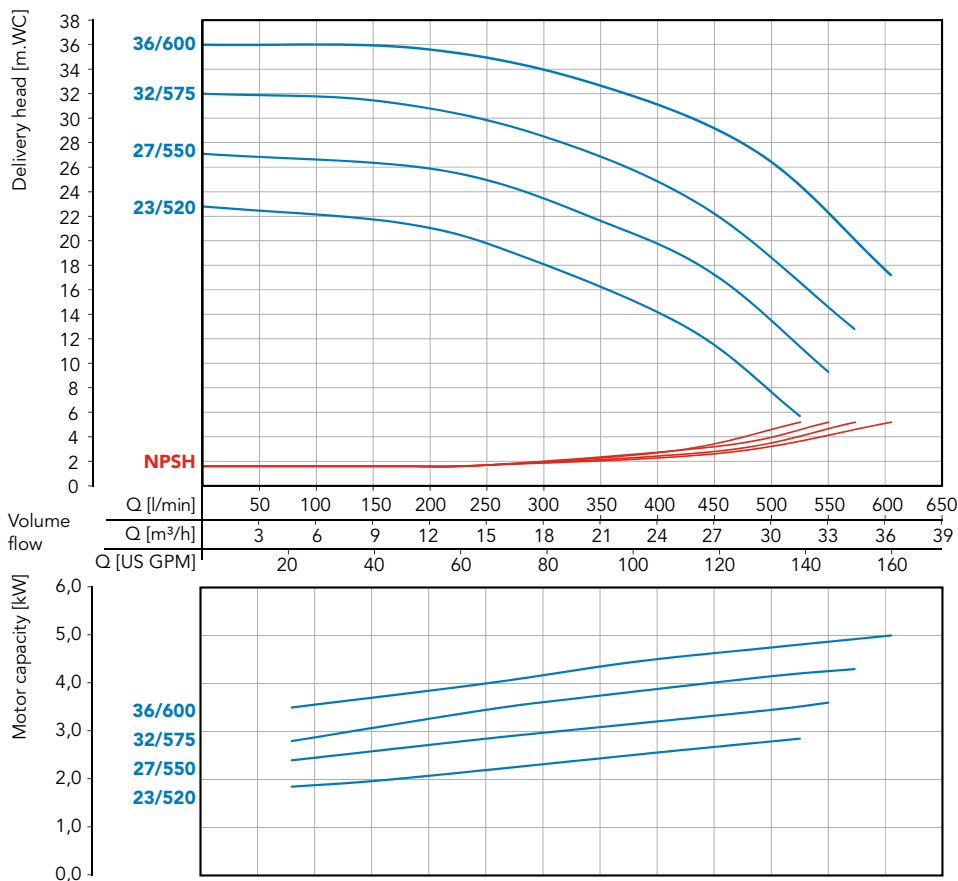


MM type 5



- Without shaft seal
- Robust and casted casing
- CARTRIDGE UNIT for fast and easy maintenance
- Temperature up to 190°C (higher temperatures are possible)
- Close coupled, single stage, back-pullout-design
- Universal DIN/ANSI connection
- Suction port DN 65, discharge port DN 50

Characteristic curve



Determined with water of 20°C; measured values ± 10%

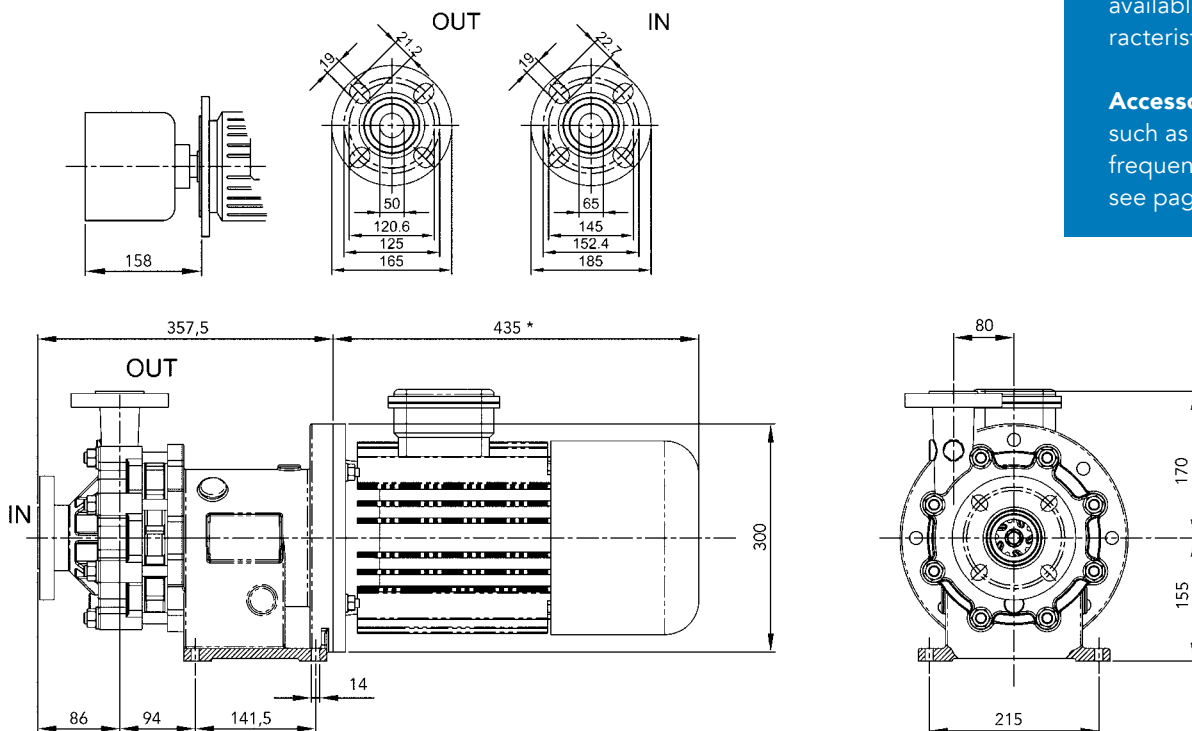
Technical data MM type 5

Size	23/525		27/550		32/575		36/600	
Material	Stainless Steel 1.4401 (AISI 316)							
Max. delivery head in [m.WC] at 50Hz	23		27		32		36	
Max. volume flow in [l/min] at 50Hz	525		550		575		600	
Max. density in [g/cm ³] at 50Hz *	1.9	2.6	1.6	2.2	1.3	1.8	1.1	1.5
Motor capacity in [kW]	5.5	7.5	5.5	7.5	5.5	7.5	5.5	7.5
Current rating (400V, 50Hz) in [A] **	9.9	13.1	9.9	13.1	9.9	13.1	9.9	13.1
Rated speed in [rpm] at 50Hz	3000							
Suction port	DN 65							
Discharge port	DN 50							
Voltage in [V] ***	400/690 three-phase AC							
Protection class	IP 55							
Max. flow velocity in [m/s]	suction side = 1 / discharge side = 3							
Max. system pressure in [bar]	25/optional 50							
Max. temperature in [°C]	190/optional up to 300							

* approx. at max. volume flow (higher density possible when flow rate is reduced) ** depends on motor supplier

*** other voltages on request

Dimensions in [mm]



Motor dimensions may differ according to manufacture.



Materials

You will find all materials available and their characteristics on page 4.

Accessories

such as RPR control and frequency converters see pages 16.