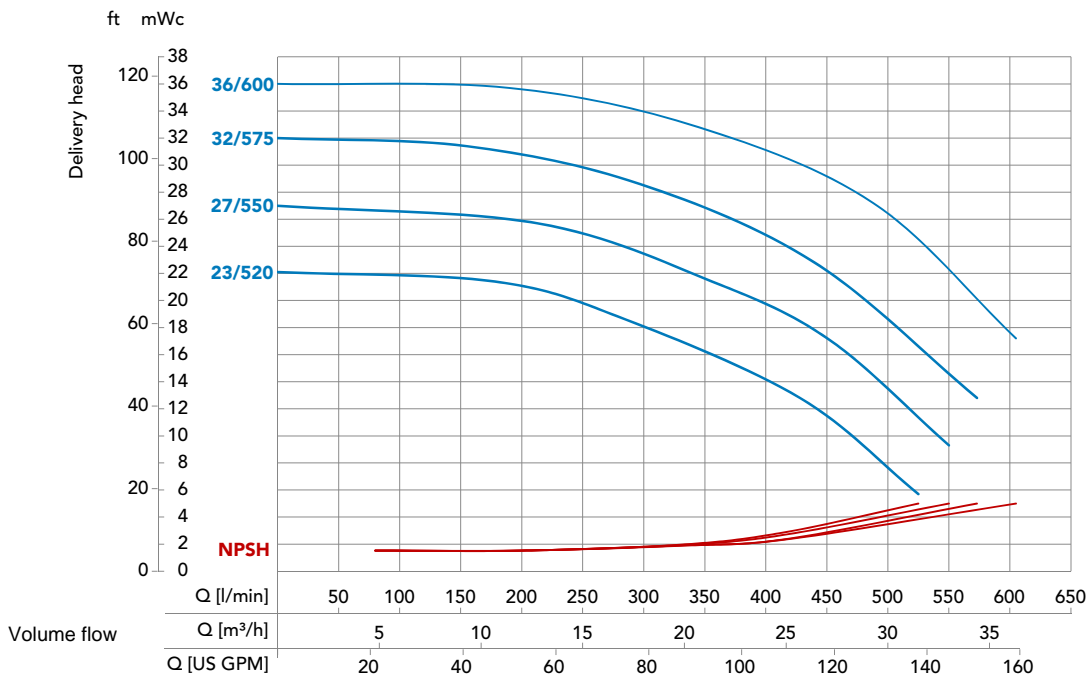


MM pump type 5

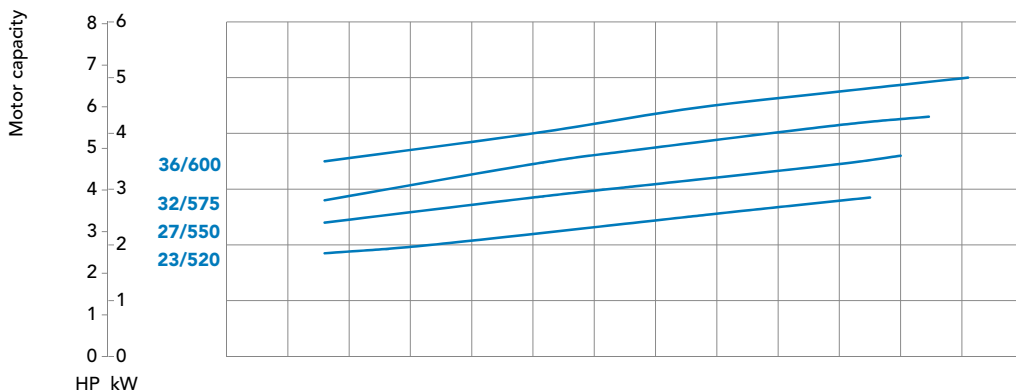


- Without shaft seal
- Robust and casted casing
- CARTRIDGE UNIT for fast and easy maintenance
- Temperature up to 120°C (higher temperatures are possible)
- Close coupled, single stage, back-pullout-design
- Universal DIN/ANSI connection
- Suction port DN65
- Discharge port DN50

Characteristic curve



Determined with water of 20 °C;
measured values ± 10 %



Technical Data MM BG5

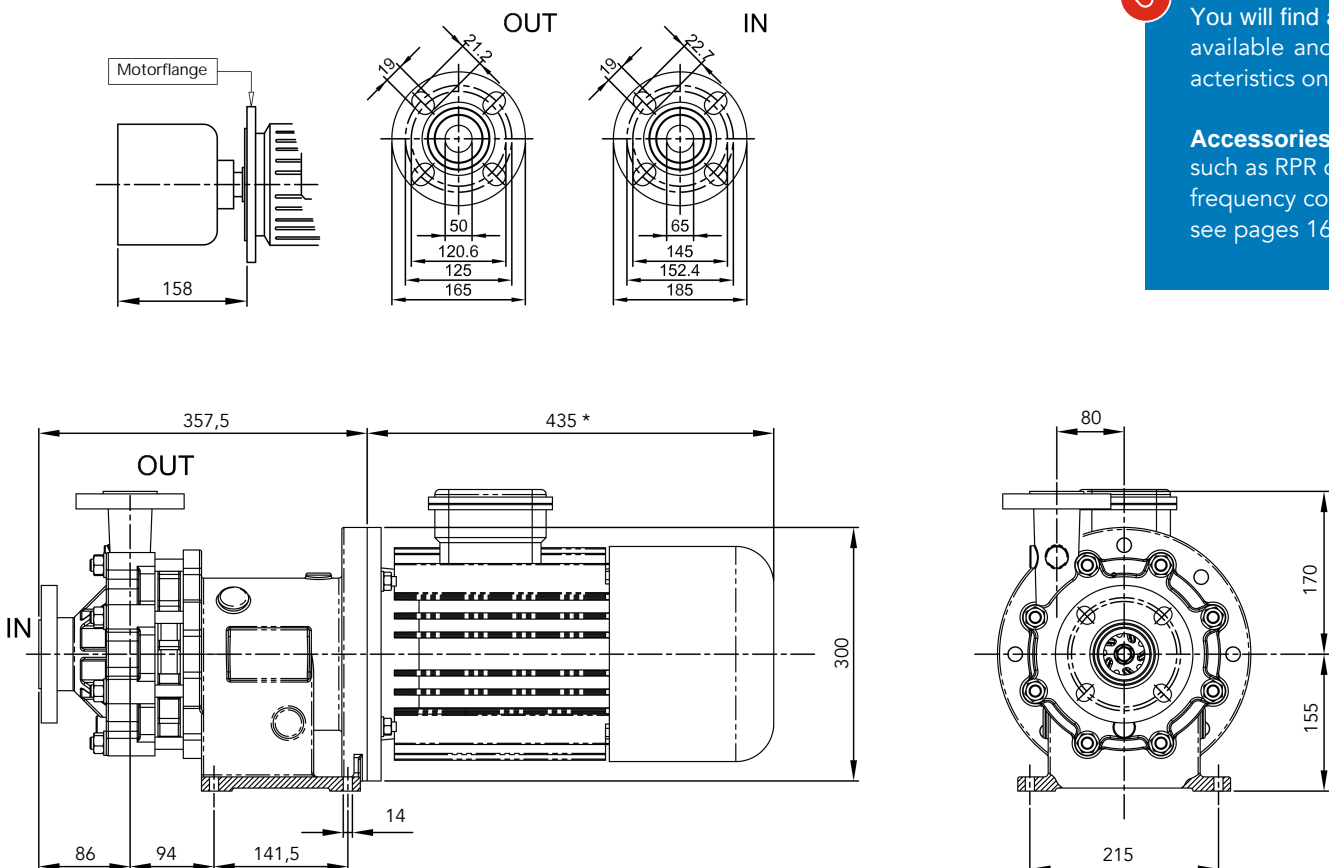
Type	23/525		27/550		32/575		36/600	
Material	Edelstahl 1.4401 (AISI 316)							
Max. delivery head [mWC] 50 Hz	23		27		32		36	
Max. volume flow in [l/min] 50Hz	525		550		575		600	
Max. density in [g/cm ³] 50 Hz *	1,9	2,6	1,6	2,2	1,3	1,8	1,1	1,5
Motor capacity [kW]	5,5	7,5	5,5	7,5	5,5	7,5	5,5	7,5
Current rating (400V, 50Hz) [A] **	9,9	13,1	9,9	13,1	9,9	13,1	9,9	13,1
Rated speed in [rpm] 50 Hz	3000							
Suction port	DN65							
Discharge port	DN50							
Voltage in [V] ***	400/690							
Protection class	IP55							
Max. flow velocity [m/s]	Saugseitig 1 / druckseitig 3							
Max. system pressure [bar]	25 / optional 50							
Max. Temperature [°C]	120 / optional bis 300							

* approx. at max. volume flow (higher density possible when flow rate is reduced)

** depends on motor supplier

*** other voltages on request

Dimensions [mm]



* Motor dimensions may differ according to manufacture.



Materials

You will find all materials available and their characteristics on page 4.

Accessories

such as RPR control and frequency converters see pages 16 to 17.